

Vermont Castings Wonderfire DV30 Part List

**WonderFire DV30** Model #'s 2570, 2571, 2572, 2573 -LP; 2580, 2581, 2582, 2583 -NG

Item/Model Number	Part Number	Item/Model Number (NOT SHOWN)	Part Number
1. FLUE COLLAR	1301069	SWITCH BOX	1408791
2. BOTTOM AIR COVER	1301066	ON/OFF SWITCH	1601597
3. FIREBOX BOTTOM	1301072	HEAT EXCHANGER DOOR GASKET	1203687
4. FRONT	1301078	SAFETY SWITCH (INCLUDES WIRING HARNESS)	5002999
5. FIREBOX	1301057		
6. FIREBOX EXTENSION	1301064		
7. FRONT COVER PLATE	1301070		
8. HEAT EXCHANGER DOOR	1301071		
9. HEAT EXCHANGER OUTLET	1301068		
10. HEAT EXCHANGER TOP	1301067		
11. LEFT END	1300997		
12. LEG NA	4300994		
13. GLASS GASKET	7000909		
14. RIGHT END	1300996		
15. TOP	1301076		
16. LATCH	1601509		
17. GASS	1601290		
18. GASS FRAME	1408788		
19. RIGHT REAR SKIRT	1408889		
20. LEFT REAR SKIRT	1408888		
21. HAT SHIELD	1408793		
22. CONVECTION HOOD	1301053		
23. AIRINTAKE TUBE	1408780		
24. GLAS ASSEMBLY	5003028		

*\*Use the following prefixes for Enamel Parts:*

232 - Red	132 - Sand	231 - Green	
			LEG ONLY *0994
			FRONT *1078
			LEFT END *0997
			RIGHT END *0996
			TOP *1076
			FLUE COLLAR *1069

**Note:** Except where noted, in these instructions 'left' and 'right' mean as you face the stove.

When ordering exterior parts, be sure to specify color. Most hardware in these units is in standard (British) measurements: most bolts are 1/4" diameter by 20 threads per inch.

**WonderFire DV30 cont.**

Item/Model Number	Part Number	Item/Model Number	Part Number
1/4-20 X 3 1/2 PHILLIPS FLAT HEAD (AIR COVER TO BOTTOM)	1201288	#10 X 1 PHILLIPS PAN HEAD SMS (3-OUTER STARTER PIECE ATTACHMENT)	1202088
1/32 SS CONTROL CABLE (20" RESET SWITCH TO HEAT EXCHANGER DOOR, 14" CPSC LABEL TO SHROUD)	1204867	1/4-20 X 1 1/4 THD ROD (4-TOP TO ENDS)	1204212
1/4-20 X 5/8 PH RD HD (2-CONTROL COVER TO FRONT)	1200896	1/4-20 X 3/8 SS PHILLIPS PAN HEAD (14-BURNER TOP TO BASE, 2-VALVE BRACKET, 2-J TUBE, 3-GAS VALVE BRACKET TO BOTTOM)	1201053
1/4-20 X 3/4 HEX HD CS (LEFT END, RIGHT END, 2-CONVECTION HOOD TO FIREBOX, 2-FLUE COLLAR TO HEAT EXCHANGER TOP)	1201374	#47-64 FERRULE (BURNER)	1201908
1/4-20 X 1 HEX HD CS (4-FIREBOX EXTENSION)	1201376	8mm FEMALE COMPR. #047-63 NUT (BURNER)	1201910
1/4-20 X 1 1/2 HEX HD CS (3-FIREBOX TO BOTTOM)	1201386	#10 X 1/2 PHILLIPS PAN HEAD SMS (GAS VALVE COVER PLATE TO GAS VALVE BRACKET, SWITCH BOX TO REAR SHROUD, 2-LEFT REAR SHROUD TO RT REAR SHROUD, 4" AIR TUBE TO HEAT EXCHANGER TOP)	1202058
1/4 PLAIN FLAT WASHER (3-FIREBOX TO BOTTOM, 4-TOP TO ENDS, 4-FIREBOX EXTENSION TO FIREBOX, 2-FELT, 2-LATTICE, 2-FLUE COLLAR TO HEAT EXCHANGER TOP, 2-CONTROL COVER TO FRONT, 2-ENDS TO BOTTOM, 2-BURNER TO BOTTOM, HEAT EXCHANGER OUTLET TO HEAT EXCHANGER, HEAT EXCHANGER TOP TO CONVECTION HOOD, 2-CONVECTION HOOD TO FIREBOX)	1202470	1/4-20 X 1 PHILLIPS ROUND HEAD (2-BURNER TO BOTTOM, 8-GLASS FRAME TO FRONT)	1200907
1/32 COPPER OVAL SLEEVE (RESET SWITCH TO HEAT EXCHANGER DOOR, 2-CPSC LABEL)	1204874	1/4-20 X 1 HEX HD CP (4-FIREBOX EXTENSION TO FIREBOX, 2-CONVECTION HOOD TO FIREBOX)	1201326
1/4-20 HEX NUT (4-TOP TO ENDS, HEAT EXCHANGER OUTLET TO HEAT EXCHANGER TOP, HEAT EXCHANGER TOP TO CONVECTION HOOD)	1203210	1/4-20 X 3 1/2 PH FL HD (AIR COVER TO BOTTOM)	1201286
5/16-18 X 1/2 HEX HEAD CAP SCREW (HANGING HOLE IN HEAT EXCHANGER TOP)	1201481	1/4-20 X 1 HEX HD LVLR BOLTS (4-LEG LEVELLERS)	1201745
3/8" SHAKER HOLE PLUG (UNUSED HOLE IN SWITCHBOX)	1600561		
3/8-16 X 1 HEX HD CS (4-LEG BOLTS)	1201432		
3/8 FL WASHER (4-LEG BOLTS)	1202488		
10-24 X 3/8 PHILLIPS PAN HEAD (4-LATCHES TO BOTTOM, 3-VALVE BRACKET TO VALVE, 2-PILOT TO BOTTOM)	1200983		
1/4-20 X 3/8 PHILLIPS PAN HEAD (5-FINISH BAG FOR FLUE COLLAR)	1200993		
FAN KIT	0005081		

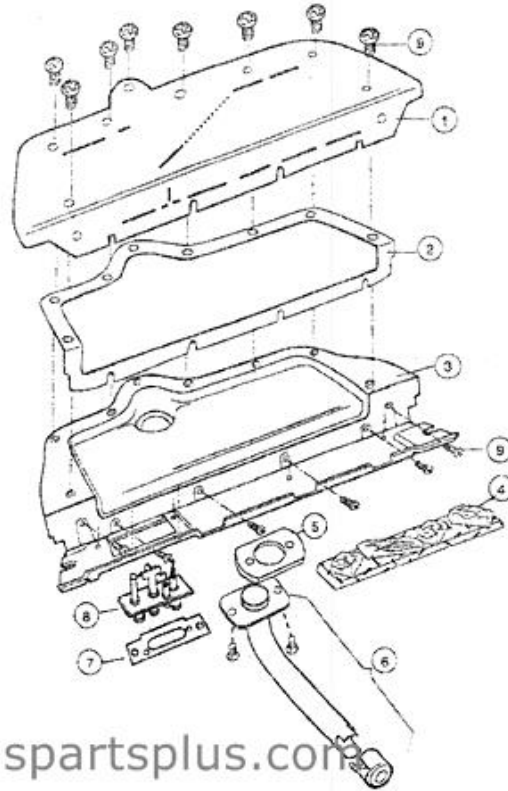
**Gaskets**

5/16" FIBERGLASS GASKET (5' FRONT FRAME)	1203668
J TUBE FIBERFRAX GASKET (1 USED)	1203683
BURNER TOP FIBERFRAX GASKET (1 USED)	1203684
3/4" FLAT WINDOW GASKET (8.65" GLASS)	7000909
PRESSURE RELIEF DOOR GASKET (2 USED)	1203687
PILOT FIBERFRAX GASKET (1 USED)	1203685
FLUE PIPE FIBERFRAX GASKET (1 USED)	1203686

Vermont Castings, Majestic Products reserves the right to make changes in design, materials, specifications, prices and discontinue colors and products at any time, without notice.

## WonderFire DV30 cont.

Item/Model Number	Part Number
<b>Burner Parts</b>	
1. BURNER TOP	1408876
2. BURNER TOP GASKET	1203684
3. BURNER BASE	1301077
4. EMBER STRIP	1408773
5. J-TUBE GASKET	1203683
6. J-TUBE W/ SHUTTER	1601596
7. PILOT GASKET	1203685
8. PILOT ORIFICE (NG)	1601557
PILOT ORIFICE (LP)	1601324
9. BOLT - 1/4"-20 X 3/8" STAINLESS STEEL	1201053
10. PILOT ASSEMBLY	1601587
BURNER ASSEMBLY (ITEMS 1-6, 9)	5002950
<b>Other Parts</b>	
INJECTOR (LP)	1601315
INJECTOR (NG)	1601313
VALVE (LP)	1601750
VALVE (NG)	1601752
VALVE BRACKET	1408779
VALVE COVER	1408846
PIEZO IGNITOR	1601304
PILOT TUBE	1601593
INJECTOR TUBE FERRULE	1201908
INJECTOR TUBE COMPRESSION NUT	1201910
MAIN BURNER TUBE	1601594
LEG LEVELERS (1/4"-20 X 1")	1201745
FLUE PIPE GASKET	1203686
FLUE RESTRICTOR PLATE (NOT USED IN ALL INSTALLATIONS)	1408849
GAS LOG SET	5002933
HEAT EXCHANGER DOOR TABS	1601488
THREADED STUDS (HOLD TOP TO BODY) (1/4"-20 X 1-1/4")	1204212
TOP HEAT SHIELD (NOT ILLUSTRATED)	1408786
NG BURNER CONVERSION KIT	0005092
LP BURNER CONVERSION KIT	0005093
PILOT TUBE WITH FITTINGS	0005917
COMPRESSION ELBOW	1601307
BURNER (INCLUDES J-TUBE & SHUTTER)	5002950
GAS VALVE COVERPLATE	1408792
RESET SWITCH ASSEMBLY	5002999
SWITCH BOX	1408791
THERMOPILE	1601311
THERMOCOUPLE	1601589
WIRE TIE	1201503
LP PILOT CONVERSION KIT	1601324
SS BURNER TOP	1408876
VALVE COVERPLATE	1408846
1/32 SS CONTROL CABLE (16" CPSC LABEL TO SHROUD & 46" RESET SWITCH TO HEAT EXCHANGER DOOR)	1204867
3/8 PLUG (UNUSED HOLE IN SWITCH BOX)	1600561
<b>Fan Kit #5081</b>	
FINGERGUARD	1601566
BLOWER	1601574
POWER CORD	1601482
STRAIN RELIEF WIRE 3/8" CLAMP (2 USED)	1204751
JUNCTION BOX	1408787
BLOWER BRACKET	1408789



## WonderFire DV30 cont.

Item/Model Number	Part Number
RHEOSTAT ASSEMBLY	5002947
SNAPSTAT	1601554
RHEOGSTAT	NA
<b>SUBSTITUTE:</b>	<b>1601550</b>
PUSH NUT	1203365
PUSH ON KNOB	1604419
8-32 HEX NUT (2 USED)	1203273
#10 X 1/2 PHILLIPS PAN HEAD SMS (6 USED)	1202058
1/4-20 X 3/8 PHILLIPS PAN HEAD (2 USED)	1200953
8-32 X 3/4 SLOTTED ROUND HEAD (2 USED)	1201057
8 X 3/4 PHILLIPS PAN HD SMS (1 USED)	1202657
1/4 STAR EXT WASHER (1 USED)	1202461
#10 PLN EXT TOOTHLOCK WASHER (1 USED)	1202467
<b>Hardware</b>	
1/4-20 X 3/8 HEX HEAD CAP SCREW (2-HEAT SHIELD TO TOP, 4-HEAT EXCHANGER DOORS TO HEAT EXCHANGER TOP, 2-CENTER OF HEAT EXCHANGER DOORS, HARNESS BRACKET TO BOTTOM)	1201337
1/4-20 X 1/2 PH RD HD (6-REAR SHROUD TO ENDS, 2- LATTICE, 2-FETTLE)	200894
1/4-20 X 5 1/2 FUL THD CRS STUD (HEAT EXCHANGER TOP & HE OUTLET TO CONVECTION HOOD)	1204240